

**BRAND-REX CAT6PLUS SYSTEM  
(CATEGORY 6 - CLASS E):**

**Key Features**

- Cat6Plus is standards compliant
- Cat6Plus is third party independently verified by 3P and GHMT
- Third party independent certificates of compliance are available for component and channel performance from 3P Inc. and GHMT Laboratories GmbH
- 1000BASE-T will operate with a lower bit error rate given the extra margin afforded by Cat6Plus
- Cat6Plus shielded systems will support 10GBASE-T in any channel configuration up to 100 metres\*. Cat6Plus unshielded systems can support 10GBASE-T in any channel configuration up to 37 metres\* and up to 55 metres\* subject to Alien Cross Talk verification  
\* Subject to testing to the latest versions of TSB 155 or TR 24750
- Cat6Plus supports broadband video applications up to 550MHz
- Cat6Plus supports Power over Ethernet applications including:
  - VoIP
  - WLAN access points
  - Security cameras etc
- Reduced bit error rate as a consequence of higher system margin above standard
- System available in both shielded and unshielded options
- Cat6Plus is interoperable and backwards compatible
- For EMC add the same statement as outlined for Cat 5e

**The Cat6Plus System**

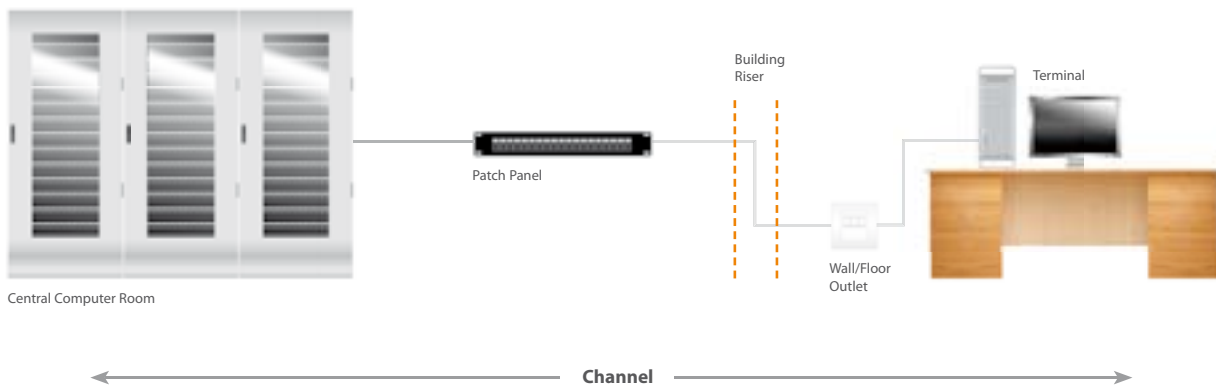
Structured wiring systems comprising of Cat6Plus cables, patch leads and connectivity are designed to be compliant with the current sets of Class E / Category 6 published and draft standards requirements as an absolute minimum.

The systems support all protocols defined in current editions, and amendments, of ISO 11801:2002, ANSI/TIA/EIA 568B.2.1 : 2002 and EN50173-1:2002 (including IEEE802.3ab Gigabit Ethernet) and are fully backward compatible.

Cat6Plus is a premium grade cabling system that is characterised to 550MHz and its performance significantly exceeds the requirements specified in the current versions of the published and draft standards for Class E / Category 6.

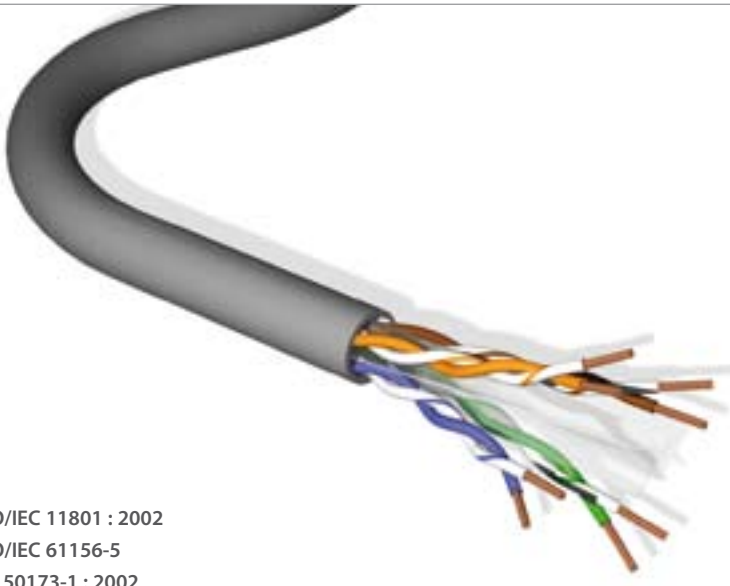
**Brand-Rex Copper Cables - Cat6Plus Channel Performance**

Unshielded and Shielded systems



**4 Connector Channel Performance**

Frequency (MHz)		1	4	10	16	20	31.25	62.5	100	125	155	175	200	250	350	500	550
Attenuation (dB)	Typical	1.9	3.5	5.5	7.0	7.8	9.8	14.2	18.4	20.8	23.4	25.0	27.0	30.6	37.2	45.9	48.6
	Spec	2.1	4.0	6.3	8.0	9.0	11.4	16.5	21.3	24.1	27.2	29.2	31.5	35.9			
NEXT (dB)	Typical	80.7	71.0	64.6	61.2	59.6	56.4	51.4	47.9	46.3	44.7	43.8	42.8	41.1	35.6	32.9	32.2
	Spec	65.0	63.0	56.6	53.2	51.6	48.4	43.4	39.9	38.3	36.7	35.8	34.8	33.1			
PSNEXT (dB)	Typical	78.6	68.8	62.3	58.9	57.2	54.0	48.8	45.3	43.6	42.0	41.1	40.1	38.3	32.8	30.0	29.3
	Spec	62.0	60.5	54.0	50.6	49.0	45.7	40.6	37.1	35.4	33.8	32.9	31.9	30.2			
Return Loss (dB)	Typical	28.0	25.0	23.0	22.0	21.5	20.5	19.0	18.0	17.5	17.0	16.8	16.5	16.0	15.3	14.5	14.3
	Spec	19.0	19.0	19.0	18.0	17.5	16.5	14.0	12.0	11.0	10.1	9.6	9.0	8.0			
ELFEXT (dB)	Typical	78.3	66.2	58.3	54.2	52.2	48.4	42.3	38.3	36.3	34.5	33.4	32.2	30.3	22.4	19.3	18.4
	Spec	63.3	51.2	43.3	39.2	37.2	33.4	27.3	23.3	21.3	19.5	18.4	17.2	15.3			
PSELFEXT (dB)	Typical	75.3	63.2	55.3	51.2	49.2	45.4	39.3	35.3	33.3	31.5	30.4	29.2	27.3	19.4	16.3	15.4
	Spec	60.3	48.2	40.3	36.2	34.2	30.4	24.3	20.3	18.3	16.5	15.4	14.2	12.3			
Propagation Delay (ns)	Typical	520	505	500	500	500	500	500	500	500	500	500	500	500	500	500	500
	Spec	580	562	555	553	552	550	549	548	547	547	547	547	546			
Delay Skew (ns)	Typical	<30	<30	<30	<30	<30	<30	<30	<30	<30	<30	<30	<30	<30	<30	<30	<30
	Spec	<50	<50	<50	<50	<50	<50	<50	<50	<50	<50	<50	<50	<50	<50	<50	<50
ACR (dB)	Typical	78.8	67.6	59.1	54.3	51.8	46.6	37.2	29.6	25.5	21.3	18.7	15.8	10.5	-1.6	-13.1	-16.5
	Spec	62.9	59.0	50.2	45.2	42.6	37.0	26.9	18.6	14.2	9.51	6.6	3.3	-2.8			
PSACR (dB)	Typical	76.7	65.3	56.8	51.9	49.4	44.1	34.6	26.9	22.9	8.6	16.0	13.1	7.7	-4.5	-15.9	-19.4
	Spec	59.9	56.5	47.7	42.6	39.9	34.3	24.1	15.8	11.3	6.6	3.7	0.3	-5.8			



ISO/IEC 11801 : 2002  
 ISO/IEC 61156-5  
 EN 50173-1 : 2002  
 EN 50288-6-1  
 ANSI/TIA/EIA 568B.2.1 : 2002

**Brand-Rex Copper Cables - Cat6Plus**  
 Communication Cable, U/UTP, 100 Ω, 4x2xAWG 23/1

Electrical Characteristics @ 20°C	Specification	Typical Performance
Conductor Loop Resistance	Max 19 Ω / 100m	14 Ω / 100m
Conductor Resistance Unbalance	Max 2%	0.5%
Dielectric Strength	1.0kV dc or 0.7kV ac for 1 min	100% in process test
Insulation Resistance	>500MΩ.km @ 100-500 V test voltage	>5 GΩ.km
Capacitance Unbalance to Earth	Max 160 pF/100m	40 pF/100m
Velocity of Propagation	<534 nsec/100m @ 100MHz	490 nsec/100m @ 100MHz (NVP for hand held testers = 0.69)
Skew	Max 40 nsec/100m @ 100MHz	30 nsec/100m @ 100MHz
Mean Characteristic Impedance	100 Ω +/- 5 Ω @ 100MHz	100 Ω +/- 3Ω @ 100MHz
Coupling Attenuation up to 1Ghz	Min 40 dB	56 dB

Frequency (MHz)	1	4	10	16	20	31.25	62.5	100	155	200	250	300	550
Insertion Loss (dB / 100m)	Spec	2.1	3.8	6.0	7.6	8.5	10.7	15.5	19.9	25.3	29.1	33.0	na
	Typical	1.9	3.5	5.5	7.0	7.8	9.9	14.1	18.0	22.7	26.1	29.4	32.5
NEXT (dB)	Spec	66.0	65.3	59.3	56.2	54.8	51.9	47.4	44.3	41.4	39.8	38.3	na
	Typical	86.5	77.5	71.5	68.4	67.0	64.1	59.6	56.5	53.6	52.0	50.5	49.3
PSNEXT (dB)	Spec	64.0	63.3	57.3	54.2	52.8	49.9	45.4	42.3	39.4	37.8	36.3	na
	Typical	84.5	75.5	69.5	66.4	65.0	62.1	57.6	54.5	51.6	50.0	48.5	47.3
ELFEXT (dB / 100m)	Spec	66.0	58.0	50.0	45.9	44.0	40.1	34.1	30.0	26.2	24.0	22.0	na
	Typical	85.0	73.0	65.0	60.9	59.0	55.1	49.1	45.0	41.2	39.0	37.0	35.5
PSELFEXT (dB / 100m)	Spec	64.0	55.0	47.0	42.9	41.0	37.1	31.1	27.0	23.2	21.0	19.0	na
	Typical	82.0	70.0	62.0	57.9	56.0	52.1	46.4	42.0	38.2	36.0	34.0	32.5
Return Loss (dB / 100m)	Spec	na	23.0	25.0	25.0	25.0	23.6	21.5	20.1	18.8	18.0	17.3	na
	Typical	27.0	30.0	30.0	30.0	30.0	28.6	26.5	25.1	23.8	23.0	22.3	19.9
ACR (dB / 100m)	Typical	84.6	73.9	66.0	61.4	59.1	54.2	45.5	38.5	30.9	25.9	21.1	16.9
PSACR (dB / 100m)	Typical	82.6	71.9	64.0	59.4	57.1	52.2	43.5	36.5	28.9	23.9	19.1	14.9

**Product Part Numbering**

Part Number	C6U	C6U-D	C6U-HF1	C6U-HF1-D	C6U-HF3	C6U-HF3-D
Outer Sheath	PVC	PVC	LSZH	LSZH	LSZH	LSZH
Construction	Simplex	Duplex	Simplex	Duplex	Simplex	Duplex
Cable Weight	43.5 kg/km	87.0 kg/km	43.0kg/km	86.0 kg/km	56.5 kg/km	113 kg/km
Calorific Value	0.19 k Wh/m	0.38 k Wh/m	0.18 k Wh/m	0.36 k Wh/m	0.26 k Wh/m	0.52 k Wh/m
Outer Diameter (nom)	6.2mm	12.5 x 6.2mm	6.2mm	12.5 x 6.2mm	7.0mm	14.1 x 7.0mm
Sheath Colour	Grey RAL 7037	Grey RAL 7037	Violet RAL 4005	Violet RAL 4005	Blue RAL 5015	Blue RAL 5015
Fire Safety Rating	IEC 60332-1-2	IEC 60332-1-2	IEC 60332-1-2	IEC 60332-1-2	IEC 60332-3-24	IEC 60332-3-24
Acid Gas Emissions	na	na	IEC 60754-1	IEC 60754-1	IEC 60754-1	IEC 60754-1
Smoke Index	na	na	IEC 61034	IEC 61034	IEC 61034	IEC 61034
Packaging	RLX / WRL	WRL	RLX / WRL	WRL	WRL	WRL



**Independent 3rd Party Certification (3P)**

**PRODUCT DESCRIPTION:**

Cat6Plus U/UTP, 100 Ω, 4x2xAWG 23/1 premium grade Class E/Cat 6 cable to support Gigabit Ethernet protocol for installation in horizontal and backbone areas.

**PRODUCT PERFORMANCE:**

**Core**

Conductor: 23 AWG Plain Annealed Copper Wire  
 Insulation: Polyolefin  
 Diameter: 1.00mm Nominal  
 Pair: 2 of the above cores  
 Pair Colour: Blue-White, Orange-White, Green-White, Brown-White

**Final Assembly**

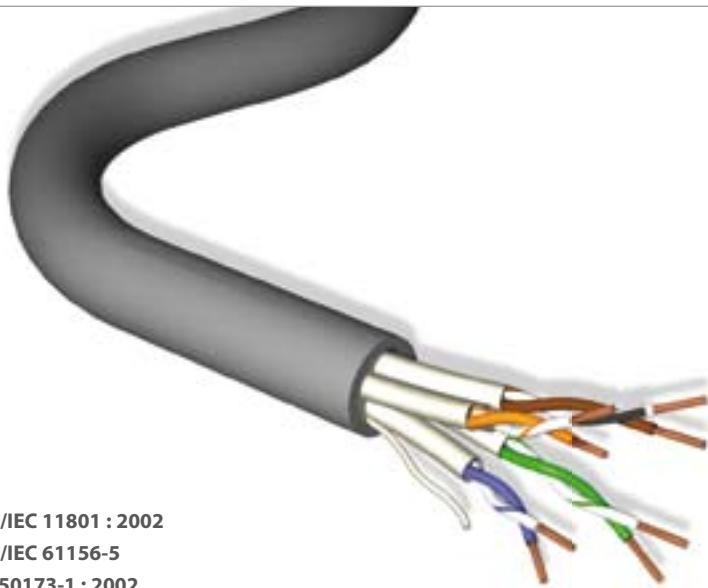
Cable: 4 of the above pairs cabled together around a cross filler  
 Sheath: PVC or LSZH compound

**Mechanical and Environmental**

Temp - Installation: 0°C to +50°C  
 Temp - Operation: -20°C to +75°C  
 Max Tensile Load: 10kg per simplex cable (installation)  
 Min Bend Radius: 8 x Outer Diameter (installation)  
 4 x Outer Diameter (operation)

**Packaging**

RLX 305m Reel Box  
 WRL 500m Wooden Reel  
 1000m Wooden Reel



ISO/IEC 11801 : 2002  
 ISO/IEC 61156-5  
 EN 50173-1 : 2002  
 EN 50288-5-1  
 ANSI/TIA/EIA 568B.2.1 : 2002

### Brand-Rex Copper Cables - Cat6Plus

Communication Cable, U/FTP, 100 Ω, 4x2xAWG 23/1

Electrical Characteristics @ 20°C	Specification	Typical Performance
Conductor Loop Resistance	Max 19 Ohm / 100m	14 Ohm / 100m
Conductor Resistance Unbalance	Max 2%	0.5%
Dielectric Strength	1.0kV dc or 0.7kV ac for 1 min	100% in process test
Insulation Resistance	>500MΩ @ 100-500 V test voltage	>5 GΩ.km
Capacitance Unbalance to Earth	Max 160 pF/100m	40 pF/100m
Velocity of Propagation	<537.6 nsec/100m @ 100MHz	440 nsec/100m @ 100MHz (NVP for hand held testers = 0.74)
Skew	Max 40 nsec/100m @ 100MHz	20 nsec/100m @ 100MHz
Mean Characteristic Impedance	100 Ohm +/- 5 Ohm @ 100MHz	100 Ω +/- 3 Ohm @ 100MHz
Transfer Impedance	Max 100 mΩ/m @ 10 MHz	30 mΩ/m @ 10MHz (ISO 61156 grade 2)

Frequency (MHz)	1	4	10	16	20	31.25	62.5	100	155	200	250	300	600
Insertion Loss (dB/100m)	Spec	2.1	3.8	6.0	7.6	8.5	10.7	15.5	19.9	25.3	29.1	33.0	na
	Typical	1.9	3.5	5.5	7.0	7.8	9.9	14.1	18.0	22.7	26.1	29.4	47.6
NEXT (dB)	Spec	66.0	65.3	59.3	56.2	54.8	51.9	47.4	44.3	41.4	39.8	38.3	na
	Typical	100.0	100.0	100.0	100.0	100.0	100.0	100.0	100.0	100.0	95.0	90.0	90.0
PSNEXT (dB)	Spec	64.0	63.3	57.3	54.2	52.8	49.9	45.4	42.3	39.4	37.8	36.3	na
	Typical	97.0	97.0	97.0	97.0	97.0	97.0	97.0	97.0	97.0	92.0	87.0	87.0
ELFEXT (dB/100m)	Spec	66.0	58.0	50.0	45.9	44.0	40.1	34.1	30.0	26.2	24.0	22.0	na
	Typical	90.0	89.0	85.0	81.0	76.0	72.0	67.0	60.0	52.0	50.0	49.0	35.0
PSELFEXT (dB/100m)	Spec	64.0	55.0	47.0	42.9	41.0	37.1	31.1	27.0	23.2	21.0	19.0	na
	Typical	87.0	86.0	82.0	78.0	73.0	69.0	64.0	57.0	49.0	47.0	46.0	37.0
Return Loss (dB/100m)	Spec	20.0	23.0	25.0	25.0	25.0	23.6	21.5	20.1	18.8	18.0	17.3	na
	Typical	30.0	30.0	30.0	30.0	30.0	27.0	25.0	24.0	22.0	21.0	20.0	17.0
ACR (dB/100m)	Typical	98.1	96.5	94.5	93.0	92.2	90.1	85.9	82.0	77.3	73.9	65.9	42.4
PSACR (dB/100m)	Typical	95.1	93.5	91.5	90.0	89.2	87.1	82.9	79.0	74.3	70.9	62.6	39.4

### Product Part Numbering

Part Number	C6U/FTP	C6U/FTP-D	C6U/FTP-HF1	C6U/FTP-HF1-D
Outer Sheath	PVC	PVC	LSZH	LSZH
Construction	Simplex	Duplex	Simplex	Duplex
Cable Weight (nom)	51.1 kg/km	102.5 kg/km	53.8 kg/km	108.0 kg/km
Calorific Value	0.22 k Wh/m	0.22 k Wh/m	0.20 k Wh/m	0.20 k Wh/m
Outer Diameter (nom)	7.15mm	7.15mm	7.15mm	7.15mm
Sheath Colour	Grey RAL 7037	Grey RAL 7037	Violet RAL 4005	Violet RAL 4005
Fire Safety Rating	IEC 60332-1-2	IEC 60332-1-2	IEC 60332-1-2	IEC 60332-1-2
Acid Gas Emissions	na	na	IEC 60754-1	IEC 60754-1
Smoke Index	na	na	IEC 61034	IEC 61034
Packaging	WRL	WRL	WRL	WRL



### PRODUCT DESCRIPTION:

Cat6Plus U/FTP, 100 Ω, 4x2xAWG 23/1 premium grade Class E/Cat 6 cable to support Gigabit Ethernet protocol for installation in horizontal and backbone areas.

### PRODUCT PERFORMANCE:

#### Core

Conductor: 23 AWG Plain  
 Annealed Copper Wire  
 Insulation: Polyolefin  
 Diameter: 1.4mm Nominal  
 Pair: 2 of the above cores  
 Tape Screen: Individual pair wrapped with aluminium polyester tape applied metal side out  
 Pair Colour: Blue-White, Orange-White  
 Green-White, Brown-White

#### Final Assembly

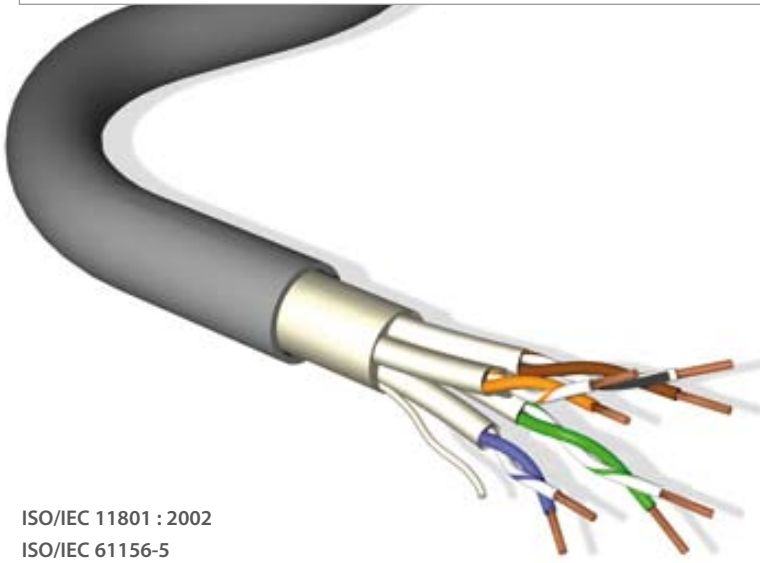
Cable: 4 of the above pairs cabled together around a cross filler  
 Drainwire: 0.5mm Tinned Annealed Copper Wire  
 Tape Screen: Wrapped with polyester tape  
 Sheath: PVC or LSZH compound

#### Mechanical and Environmental

Temp - Installation: 0°C to +50°C  
 Temp - Operation: -20°C to +75°C  
 Max Tensile Load: 10kg per simplex cable (installation)  
 Min Bend Radius: 8 x Outer Diameter (installation)  
 4 x Outer Diameter (operation)

#### Packaging

WRL 500m Wooden Reel  
 1000m Wooden Reel



ISO/IEC 11801 : 2002  
 ISO/IEC 61156-5  
 EN 50173-1 : 2002  
 EN 50288-5-1  
 ANSI/TIA/EIA 568B.2.1 : 2002

**Brand-Rex Copper Cables - Cat6Plus**  
 Communication Cable, F/FTP, 100 Ω, 4x2xAWG 23/1

Electrical Characteristics @ 20°C	Specification	Typical Performance
Conductor Loop Resistance	Max 19 Ω / 100m	14 Ω / 100m
Conductor Resistance Unbalance	Max 2%	0.5%
Dielectric Strength	1.0kV dc or 0.7kV ac for 1 min	100% in process test
Insulation Resistance	>500MΩ @ 100-500 V test voltage	>500 MΩ.km
Capacitance Unbalance to Earth	Max 160 pF/100m	80 pF/100m
Velocity of Propagation	<537.6 nsec/100m @ 100MHz	537.6 nsec/100m @ 100MHz (NVP for hand held testers = 0.74)
Skew	Max 40 nsec/100m @ 100MHz	25 nsec/100m @ 100MHz
Mean Characteristic Impedance	100 Ω +/- 5 Ω @ 100MHz	100 Ω +/- 3 Ω @ 100MHz
Transfer Impedance	Max 100 mΩ/m @ 10MHz	30 mΩ/m @ 10MHz (ISO 61156 grade 1 cable)
Coupling Attenuation up to 1Ghz	Min 55 dB	75 dB

Frequency (MHz)	1	4	10	16	20	31.25	62.5	100	155	200	250	300	600
Insertion Loss (dB / 100m)	Spec	2.1	3.8	6.0	7.6	8.5	10.7	15.5	19.9	25.3	29.1	33.0	na
	Typical	1.9	3.5	5.5	7.0	7.8	9.9	14.1	18.0	22.7	26.1	29.4	32.5
NEXT (dB)	Spec	66.0	65.3	59.3	56.2	54.8	51.9	47.4	44.3	41.4	39.8	38.3	na
	Typical	100.0	100.0	100.0	100.0	100.0	100.0	100.0	100.0	100.0	95.0	90.0	90.0
PSNEXT (dB)	Spec	64.0	63.3	57.3	54.2	52.8	49.9	45.4	42.3	39.4	37.8	36.3	na
	Typical	97.0	97.0	97.0	97.0	97.0	97.0	97.0	97.0	97.0	92.0	87.0	87.0
ELFEXT (dB / 100m)	Spec	66.0	58.0	50.0	45.9	44.0	40.1	34.1	30.0	26.2	24.0	22.0	na
	Typical	90.0	89.0	85.0	81.0	76.0	72.0	67.0	60.0	52.0	50.0	49.0	40.0
PSELFEXT (dB / 100m)	Spec	64.0	55.0	47.0	42.9	41.0	37.1	31.1	27.0	23.2	21.0	19.0	na
	Typical	88.0	86.0	82.0	78.0	73.0	69.0	64.0	57.0	49.0	47.0	46.0	37.0
Return Loss (dB / 100m)	Spec	23.0	23.0	25.0	25.0	25.0	23.6	21.5	20.1	18.8	18.0	17.3	na
	Typical	30.0	30.0	30.0	30.0	30.0	27.0	25.0	24.0	22.0	21.0	20.0	19.0
ACR (dB / 100m)	Typical	96.5	96.5	94.5	93.0	92.2	90.1	85.5	82.0	77.3	74.0	65.6	57.5
PSACR (dB / 100m)	Typical	93.5	93.5	91.5	90.0	89.2	87.1	82.9	79.0	74.3	71.0	62.6	54.5

**Product Part Numbering**

Part Number	C6F/FTP	C6F/FTP-HF1	C6F/FTP-HF3
Outer Sheath	PVC	LSZH	LSZH
Construction	Simplex	Simplex	Simplex
Cable Weight	51.4 kg/km	54.3 kg/km	55.3 kg/km
Calorific Value	0.23 k Wh/m	0.20 k Wh/m	0.21 k Wh/m
Outer Diameter (nom)	7.3mm	7.3mm	7.4mm
Sheath Colour	Grey RAL 7037	Violet RAL 4005	Blue RAL 5015
Fire Safety Rating	IEC 60332-1-2	IEC 60332-1-2	IEC 60332-3-24
Acid Gas Emissions	na	IEC 60754-1	IEC 60754-1
Smoke Index	na	IEC 61034	IEC 61034
Packaging	WRL	WRL	WRL



**Independent 3rd Party Certification (3P)**

**PRODUCT DESCRIPTION:**

Cat6Plus F/FTP, 100 Ω, 4x2xAWG 23/1 premium grade Class E/Cat 6 cable to support Gigabit Ethernet protocol for installation in horizontal and backbone areas.

**PRODUCT PERFORMANCE:**

**Core**

- Conductor: 23 AWG Plain Annealed Copper Wire
- Insulation: Cellular Polyolefin
- Diameter: 1.45mm Nominal
- Pair: 2 of the above cores
- Tape Screen: Individual pair wrapped with aluminium polyester tape applied metal side out
- Pair Colour: Blue-White, Orange-White, Green-White, Brown-White

**Final Assembly**

- Cable: 4 of the above shielded pairs
- Drainwire: 0.5mm Tinned Annealed Copper Wire
- Tape Screen: Wrapped with aluminium polyester tape, applied metal side in
- Sheath: PVC or LSZH compound

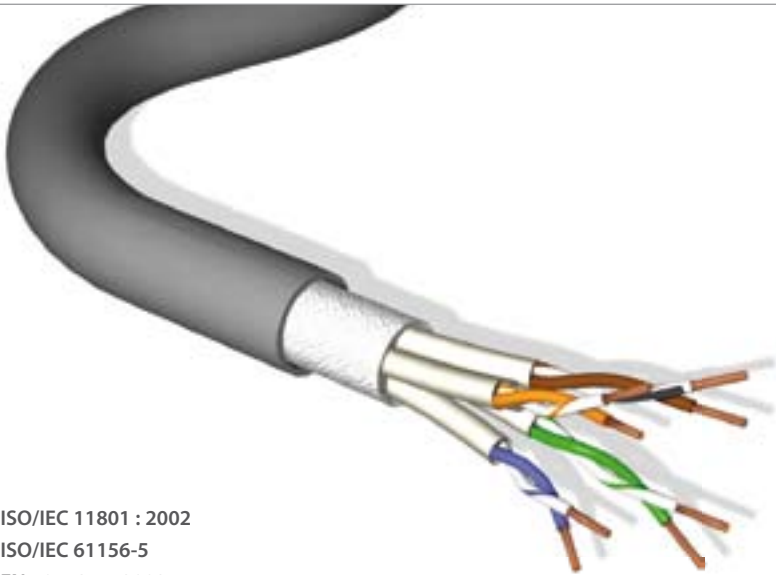
**Mechanical and Environmental**

- Temp - Installation: 0°C to +50°C
- Temp - Operation: -20°C to +75°C
- Max Tensile Load: 10kg per simplex cable (installation)
- Min Bend Radius: 8 x Outer Diameter (installation), 4 x Outer Diameter (operation)

**Packaging**

- WRL: 500m Wooden Reel, 1000m Wooden Reel





ISO/IEC 11801 : 2002  
 ISO/IEC 61156-5  
 EN 50173-1 : 2002  
 EN 50288-5-1  
 ANSI/TIA/EIA 568B.2.1 : 2002

**Brand-Rex Copper Cables - Cat6Plus**  
 Communication Cable, S/FTP, 100 Ω, 4x2xAWG 23/1

Electrical Characteristics @ 20°C	Specification	Typical Performance
Conductor Loop Resistance	Max 19 Ω / 100m	14 Ω / 100m
Conductor Resistance Unbalance	Max 2%	0.5%
Dielectric Strength	1.0kV dc or 0.7kV ac for 1 min	100% in process test
Insulation Resistance	>500MΩ.km @ 100-500 V test voltage	>5 GΩ.km
Capacitance Unbalance to Earth	Max 160 pF/100m	80 pF/100m
Velocity of Propagation	<537.6 nsec/100m @ 100MHz	445 nsec/100m @ 100MHz (NVP for hand held testers = 0.74)
Skew	Max 40 nsec/100m @ 100MHz	5 nsec/100m @ 100MHz
Mean Characteristic Impedance	100 Ω +/- 5 Ω @ 100MHz	100 Ω +/- 3 Ohm @ 100MHz
Transfer Impedance	Max 100 mΩ/m @ 10 MHz	5 mΩ/m @ 10MHz (ISO 61156 grade 1 cable)
Coupling Attenuation up to 1Ghz	Min 55 dB	90 dB

Frequency (MHz)	1	4	10	16	20	31.25	62.5	100	155	200	250	300	600
Insertion Loss (dB/100m)	Spec	2.1	3.8	6.0	7.6	8.5	10.7	15.5	19.9	25.3	29.1	33.0	na
	Typical	1.9	3.5	5.5	7.0	7.8	9.9	14.1	18.0	22.7	26.1	29.4	32.5
NEXT (dB)	Spec	66.0	65.3	59.3	56.2	54.8	51.9	47.4	44.3	41.4	39.8	38.3	na
	Typical	100.0	100.0	100.0	100.0	100.0	100.0	98.0	94.3	90.9	88.9	87.1	85.7
PSNEXT (dB)	Spec	64.0	63.3	57.3	54.2	52.8	49.9	45.4	42.3	39.4	37.8	36.3	na
	Typical	97.0	97.0	97.0	97.0	97.0	95.0	91.3	87.9	85.9	84.1	82.7	77.3
ELFEXT (dB/100m)	Spec	66.0	58.0	50.0	45.9	44.0	40.1	34.1	30.0	26.2	24.0	22.0	na6
	Typical	90.0	90.0	90.0	86.7	84.8	80.9	74.9	70.8	67.0	64.8	62.8	1.3
PSELFEXT (dB/100m)	Spec	64.0	55.0	47.0	42.9	41.0	37.1	31.1	27.0	23.2	21.0	19.0	na
	Typical	87.0	87.0	87.0	83.7	81.8	77.9	71.9	67.8	64.0	61.8	59.8	58.3
Return Loss (dB / 100m)	Spec	23.0	23.0	25.0	25.0	23.6	21.5	20.1	18.8	18.0	17.3	na	na
	Typical	30.0	30.0	30.0	30.0	30.0	28.6	26.5	25.1	23.8	23.0	22.3	21.8
ACR (dB / 100m)	Typical	96.5	96.5	94.5	93.0	92.2	90.1	83.9	76.3	68.1	62.8	57.7	53.3
PSACR (dB / 100m)	Typical	93.5	93.5	91.5	90.0	89.2	87.1	80.9	73.3	65.1	59.8	54.7	50.3

**Product Part Numbering**

Part Number	C6STP	C6STP-D	C6STP-HF1	C6STP-HF1-D	C6STP-HF3	C6STP-HF3-D
Outer Sheath	PVC	PVC	LSZH	LSZH	LSZH	LSZH
Construction	Simplex	Duplex	Simplex	Duplex	Simplex	Duplex
Cable Weight	62.6 kg/km	122.0 kg/km	64.1kg/km	127.1 kg/km	65.1 kg/km	129.0 kg/km
Calorific Value	0.22 k Wh/m	0.42 k Wh/m	0.19 k Wh/m	0.39 k Wh/m	0.20 k Wh/m	0.43 k Wh/m
Outer Diameter (nom)	7.5mm	15 x 7.5mm	7.5mm	15 x 7.5mm	7.8mm	15.6 x 7.8mm
Sheath Colour	Grey RAL 7037	Grey RAL 7037	Violet RAL 4005	Violet RAL 4005	Blue RAL 5015	Blue RAL 5015
Fire Safety Rating	IEC 60332-1-2	IEC 60332-1-2	IEC 60332-1-2	IEC 60332-1-2	IEC 60332-3-24	IEC 60332-3-24
Acid Gas Emissions	na	na	IEC 60754-1	IEC 60754-1	IEC 60754-1	IEC 60754-1
Smoke Index	na	na	IEC 61034	IEC 61034	IEC 61034	IEC 61034
Packaging	WRL	WRL	WRL	WRL	WRL	WRL



**Independent 3rd Party Certification (3P)**

**PRODUCT DESCRIPTION:**

Cat6Plus S/FTP, 100 Ω, 4x2xAWG 23/1 premium grade Class E/Cat 6 cable to support Gigabit Ethernet protocol for installation in horizontal and backbone areas.

**PRODUCT PERFORMANCE:**

**Core**

- Conductor: 23 AWG Plain Annealed Copper Wire
- Insulation: Cellular Polyolefin
- Diameter: 1.45mm Nominal
- Pair: 2 of the above cores
- Tape Screen: Individual pair wrapped with aluminium polyester tape applied metal side out
- Pair Colour: Blue-White, Orange-White, Green-White, Brown-White

**Final Assembly**

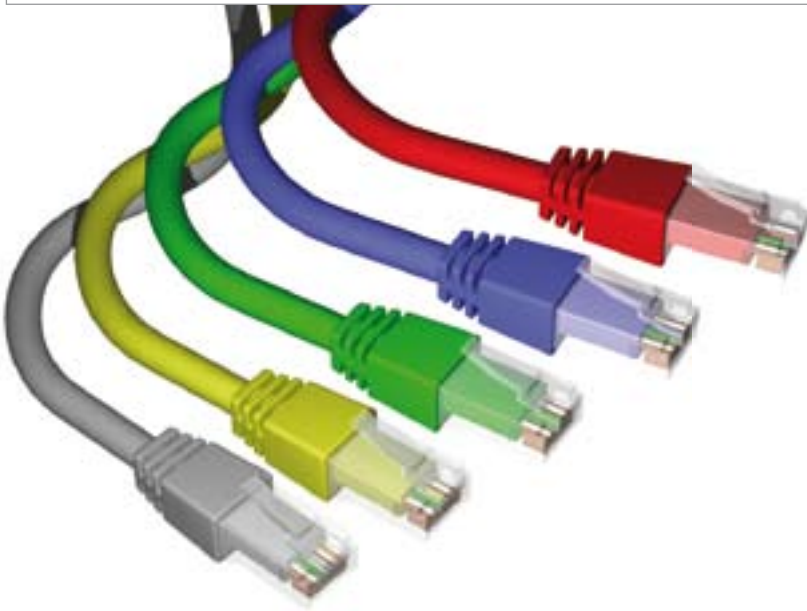
- Cable: 4 of the above pairs
- Braid Screen: 0.127mm Tinned Annealed Copper Wire
- Sheath: PVC or LSZH compound

**Mechanical and Environmental**

- Temp - Installation: 0°C to +50°C
- Temp - Operation: -20°C to +75°C
- Max Tensile Load: 10kg per simplex cable (installation)
- Mini Bend Radius: 8 x Outer Diameter (installation), 4 x Outer Diameter (operation)

**Packaging**

- WRL 500m Wooden Reel, 1000m Wooden Reel



Compliant with ISO/IEC 61935-2

**Brand-Rex Copper Patch Cords - Cat6Plus**  
Category 6 Blade Patch Cords

**THE BRAND-REX 8 POINT PATCH CORD PROMISE**

1. Cat6Plus patch cords employ independently verified Category 6 cable
2. Cat6Plus patch cords are manufactured using leading brand Category 6 conformant RJ-45 modular plugs
3. Cat6Plus patch cords are manufactured with a flexible strain relief boot as standard
4. Cat6Plus patch cords are manufactured using only quality approved assembly houses to the exacting requirements of Brand-Rex purchase specification
5. Cat6Plus patch cords are tested in accordance with our AQL plan for Category 6 standards conformance
6. Cat6Plus patch cords are available in screened and unshielded constructions
7. Cat6Plus patch cords carry a no quibble replacement guarantee\*
8. Cat6Plus patch cords are incorporated within the Brand-Rex warranty programme

\* Any Brand-Rex patch cord that fails to meet the specified requirements of Category 6 will be replaced free of charge

**PRODUCT DESCRIPTION:**

Brand-Rex Cat6Plus patch cords enable you to get the optimum performance from your cabling system. Our factory made and tested patch cords offer you guaranteed quality, and ensure that your system avoids the performance degradation which inferior alternatives will give you at high data rates. All patch cords are supplied with boots and ID tag.

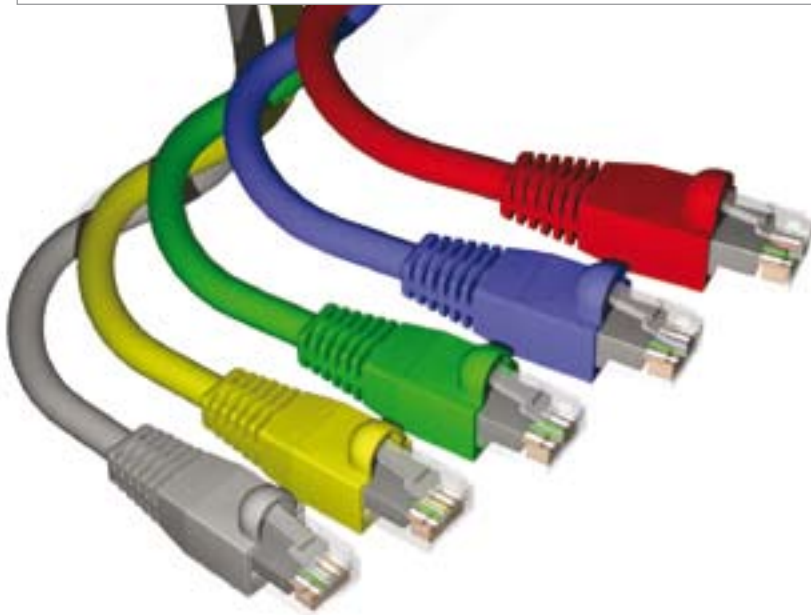
**Part Number Format**

C6C-PC-A-bbb-cde-F						
A - Cord Type	bbb - Cord Length	cde - Colour Scheme			F - Speciality Tag	
U 24AWG UTP	010 1 metre	(c) Cable	(d) Boot 1	(e) Boot 2	S Solid	
S 27AWG STP	020 2 metre	1 Red	1 Red	1 Red	X Crossover	
	030 3 metre	4 Blue	4 Blue	4 Blue	HB Halogen Free	
	050 5 metre	5 Green	5 Green	5 Green	- Standard	
	Additional lengths on request	6 Yellow	6 Yellow	6 Yellow		
		8 Grey	8 Grey	8 Grey		
	Additional colours on request					

**Product Part Numbering**

	Red	Blue	Green	Yellow	Grey
24 AWG UTP - 1.0m	C6CPCU010-111HB	C6CPCU010-444HB	C6CPCU010-555HB	C6CPCU010-666HB	C6CPCU010-888HB
24 AWG UTP - 2.0m	C6CPCU020-111HB	C6CPCU020-444HB	C6CPCU020-555HB	C6CPCU020-666HB	C6CPCU020-888HB
24 AWG UTP - 3.0m	C6CPCU030-111HB	C6CPCU030-444HB	C6CPCU030-555HB	C6CPCU030-666HB	C6CPCU030-888HB
24 AWG UTP - 5.0m	C6CPCU050-111HB	C6CPCU050-444HB	C6CPCU050-555HB	C6CPCU050-666HB	C6CPCU050-888HB
27 AWG SFTP - 1.0m	C6CPCS010-188HB	C6CPCS010-488HB	C6CPCS010-588HB	C6CPCS010-688HB	C6CPCS010-888HB
27 AWG SFTP - 2.0m	C6CPCS020-188HB	C6CPCS020-488HB	C6CPCS020-588HB	C6CPCS020-688HB	C6CPCS020-888HB
27 AWG SFTP - 3.0m	C6CPCS030-188HB	C6CPCS030-488HB	C6CPCS030-588HB	C6CPCS030-688HB	C6CPCS030-888HB
27 AWG SFTP - 5.0m	C6CPCS050-188HB	C6CPCS050-488HB	C6CPCS050-588HB	C6CPCS050-688HB	C6CPCS050-888HB

Non standard colour and length options are available to order on request.



Compliant with ISO/IEC 61935-2

**Brand-Rex Copper Patch Cords - Cat6Plus**  
Category 6 Patch Cords

**THE BRAND-REX 8 POINT PATCH CORD PROMISE**

1. Cat6Plus patch cords employ independently verified Category 6 cable
2. Cat6Plus patch cords are manufactured using leading brand Category 6 conformant RJ-45 modular plugs
3. Cat6Plus patch cords are manufactured with a flexible strain relief boot as standard
4. Cat6Plus patch cords are manufactured using only quality approved assembly houses to the exacting requirements of Brand-Rex purchase specification
5. Cat6Plus patch cords are tested in accordance with our AQL plan for Category 6 standards conformance
6. Cat6Plus patch cords are available in screened and unshielded constructions
7. Cat6Plus patch cords carry a no quibble replacement guarantee\*
8. Cat6Plus patch cords are incorporated within the Brand-Rex warranty programme

\* Any Brand-Rex patch cord that fails to meet the specified requirements of Category 6 will be replaced free of charge

**PRODUCT DESCRIPTION:**

Brand-Rex Cat6Plus patch cords enable you to get the optimum performance from your cabling system. Our factory made and tested patch cords offer you guaranteed quality, and ensure that your system avoids the performance degradation which inferior alternatives will give you at high data rates. All patch cords are supplied with boots and ID tag.

**Part Number Format**

**C6C-PC-A-bbb-cde-F**

A - Cord Type	bbb - Cord Length	cde - Colour Scheme			F - Speciality Tag
U 24AWG UTP	010 1 metre	(c) Cable	(d) Boot 1	(e) Boot 2	S Solid
S 27AWG STP	020 2 metre	1 Red	1 Red	1 Red	X Crossover
	030 3 metre	4 Blue	4 Blue	4 Blue	H Halogen Free
	050 5 metre	5 Green	5 Green	5 Green	- Standard
	Additional lengths on request	6 Yellow	6 Yellow	6 Yellow	
		8 Grey	8 Grey	8 Grey	
	Additional colours on request				

**Product Part Numbering**

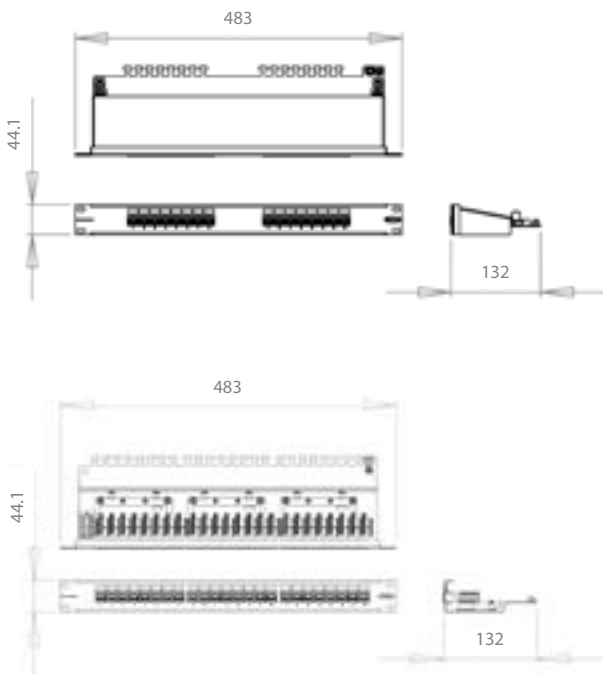
	Red	Blue	Green	Yellow	Grey
24 AWG UTP - 1.0m	C6CPCU010-111H	C6CPCU010-444H	C6CPCU010-555H	C6CPCU010-666H	C6CPCU010-888H
24 AWG UTP - 2.0m	C6CPCU020-111H	C6CPCU020-444H	C6CPCU020-555H	C6CPCU020-666H	C6CPCU020-888H
24 AWG UTP - 3.0m	C6CPCU030-111H	C6CPCU030-444H	C6CPCU030-555H	C6CPCU030-666H	C6CPCU030-888H
24 AWG UTP - 5.0m	C6CPCU050-111H	C6CPCU050-444H	C6CPCU050-555H	C6CPCU050-666H	C6CPCU050-888H
27 AWG SFTP - 1.0m	C6CPCS010-111H	C6CPCS010-444H	C6CPCS010-555H	C6CPCS010-666H	C6CPCS010-888H
27 AWG SFTP - 2.0m	C6CPCS020-111H	C6CPCS020-444H	C6CPCS020-555H	C6CPCS020-666H	C6CPCS020-888H
27 AWG SFTP - 3.0m	C6CPCS030-111H	C6CPCS030-444H	C6CPCS030-555H	C6CPCS030-666H	C6CPCS030-888H
27 AWG SFTP - 5.0m	C6CPCS050-111H	C6CPCS050-444H	C6CPCS050-555H	C6CPCS050-666H	C6CPCS050-888H

*Non standard colour and length options are available to order on request.*





**Brand-Rex Copper Connectivity - Cat6Plus Panels**  
 Category 6 Panel with cable management



**PRODUCT DESCRIPTION:**

The Cat6Plus 19" rack mounted patch panel offers true Category 6 component performance using a new patented contact pin array design. All panels are backward compatible. The modular jacks that are used in blocks of 8 are individually shielded to give superior shielding.

In addition to this, each panel has been designed with a cable management/strain relief feature built into the rear. All outlets are numerically identified with an additional writable surface for ease of port naming. Each panel is supplied with cable ties, panel mounting accessories and short form installation instructions.

**PRODUCT CHARACTERISTICS:**

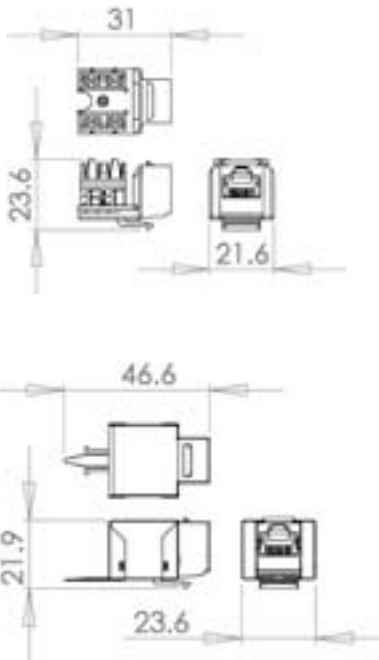
- Panel Width: 19" (483mm)
- Panel Height: 1U (44.1mm)
- Panel Depth: 132mm
- Outlet Style: Unkeyed RJ-45
- Outlets: 16 or 24 ports
- Colour: RAL 9005 Black or RAL 7035 Grey
- Punch Down Blocks: LSA style IDC
- Wiring Standard: EIA/TIA 568A/B
- Conformance: Category 6  
 ANSI/EIA/TIA 568B.2.1 : 2002  
 ISO/IEC 11801 : 2002  
 EN50173-1 : 2002
- Approval: (3P) Independent  
 3rd Party Certification

**Product Part Numbering**

	16 Port	24 Port
Shielded Panel LSA Style - Black	C6CPNLF160K2M	C6CPNLF240K2M
Shielded Panel LSA Style - Grey	C6CPNLF160K8M	C6CPNLF240K8M
Unshielded Panel LSA Style - Black	C6CPNLU160K2M	C6CPNLU240K2M
Unshielded Panel LSA Style - Grey	C6CPNLU160K8M	C6CPNLU240K8M
Unshielded Panel 110 Style - Black	C6CPNLU16012M	C6CPNLU24012M
Unshielded Panel 110 Style - Grey	C6CPNLU16018M	C6CPNLU24018M



**Brand-Rex Copper Connectivity - Cat6Plus Jacks**  
Category 6 Snap-In-Jacks



**Product Part Numbering**

	Unshielded	Shielded
LSA Style - Black	C6JAKU0K2	C6JAKF0K2
LSA Style - White	C6JAKU0K3	-
110 Style - Black	C6JAKU012	-
110 Style - White	C6JAKU013	-

Other colours available on request.

**PRODUCT DESCRIPTION:**

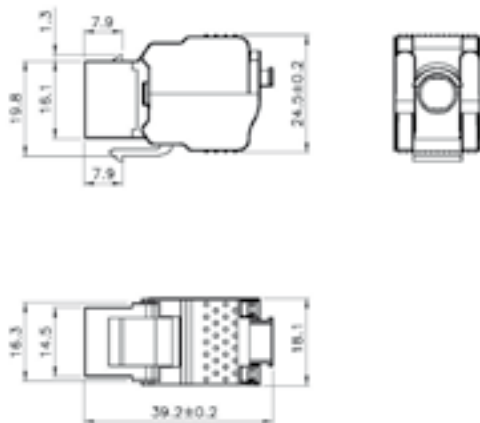
The Brand-Rex Cat6Plus Snap-In-Jack offers true Category 6 component performance using a new patented contact array design. The jack is backward compatible and also fully compatible with all our UK and continental style faceplates and products. Jacks are supplied with a short form installation instruction.

**PRODUCT CHARACTERISTICS:**

- Outlet Style: Unshielded and shielded Keystone type with RJ-45 ports
- Cable Entry: Top and Rear
- Hole Plate Thickness: Jack will clip into sheet material with a thickness of 1.6mm max.
- Body Material: High impact PBT UL94 - VO
- Jack Contacts: Phosphor Bronze
- Plating: 50 µm gold over 100 µm of nickel
- Punch Down Blocks: LSA (Shielded) LSA or 110 (Unshielded) style IDC
- IDC Contacts: Phosphor Bronze
- Wiring Standard: EIA/TIA 568A/B
- Conformance: Category 6 ANSI/EIA/TIA 568B.2.1 : 2002 ISO/IEC 11801 : 2002 EN50173-1 : 2002
- Approval: (3P) Independent 3rd Party Certification



**Brand-Rex Copper Connectivity - Cat6Plus Jacks**  
Category 6 Keystone Jack



**Product Part Numbering**

Description	Product Part Number
Category 6 Shielded Jack	C6CJAKS000CR

**Compatible System Products:**

Description	Product Part Number
24 Port In-Line Snap-in-Jack Panel	MMCPNLX24SJ2MIL
24 Port Staggered Snap-in-Jack Panel	MMCPNLX24SIJ2
24 Port Angled Snap-in-Jack Panel	MMCPNLX24SIJ2MAN
24 Port Coloured Insert Snap-in-Jack Panel - Black	MMCPNLX24SIJ2CII
24 Port Coloured Insert Snap-in-Jack Panel - Grey	MMCPNLX24SIJ8CII

**PRODUCT DESCRIPTION:**

The Cat6Plus Snap-In-Jack offers true Category 6 component performance and quick tool-free wire termination with push down wire manager. The metal housing of the Keystone Jack is designed to provide a superior electromagnetic shielding performance. The jack is fully compatible with all our UK and continental style faceplates and products. Jacks are supplied with installation instructions.

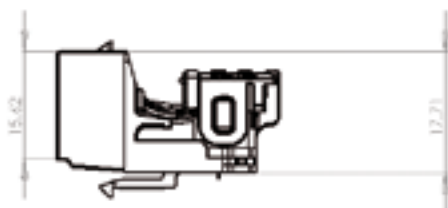
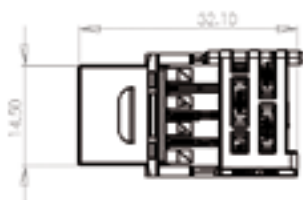
**PRODUCT CHARACTERISTICS:**

- Outlet Style: Shielded Keystone type with Unkeyed RJ-45 ports
- Cable Entry: Rear
- Hole Plate Thickness: 1.6mm Max
- Body Material: Shield – Bronze, nickel-plated housing – ABS/PC, UL94-V2 rated  
body – Zinc Die-casting nickel-plated
- Jack Contacts: Phosphor Bronze
- Plating: 50 µm of gold over 40 µm of nickel
- Punch Down Blocks: Tool-free with push down cable manager for wire AWG 22-27 solid and stranded
- Wire Terminations: Tool-free with CAP
- IDC Contacts: Phosphor Bronze with 50 µm of plated tin
- Wiring Standard: EIA/TIA 568A & EIA/TIA 568B
- Conformance: Category 6 compliant - can support 10GBASE-T in a channel configuration



### Brand-Rex Copper Connectivity - Cat6Plus Jacks

Category 6 Tool-free Jack



#### PRODUCT DESCRIPTION:

The Tool-free Jack offers true Cat6 performance and is fully compatible with Brand-Rex UK and continental UNI style faceplates and products. The jacks come supplied in boxes of 12; termination instructions are on the rear of the box. No termination tool is required. Each jack has integral colour code wiring labels.

#### PRODUCT CHARACTERISTICS:

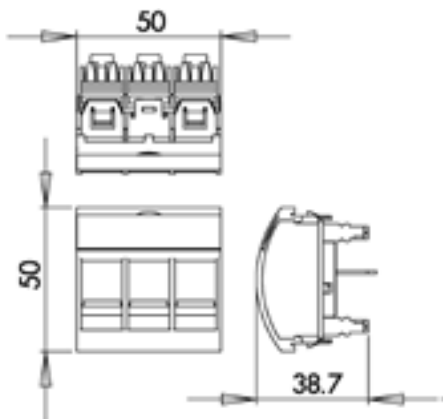
Outlet Style:	Unshielded with un-keyed RJ-45 port
Cable Entry:	Rear, top and bottom
Colour:	Black translucent
Body Materials:	UL94 – V0
Jack Contacts:	Phosphor bronze, Plating 50 µm gold over 100 µm of nickel
Termination Block Material:	UL94-V0
IDC Contacts:	Titanium copper, tin plated
Wiring Standard:	EIA/TIA 568 A & B
Conformance:	Backwards compatible to the Class D standards ISO/IEC 11801 : 2002, ANSI/EIA/TIA 568B.2.2002
Compliant with the new draft Cat6A standards:	ISO/IEC 11801 amendments 1.1 & 1.2 ANSI/EIA/TIA 568B.2-10

#### Product Part Numbering

	Product Part Number
Category 6 Tool-free Jack	C6JAKU002



**Brand-Rex Copper Connectivity - Cat6Plus Outlets**  
 Category 6 Triple Shuttered Outlet



**PRODUCT DESCRIPTION:**

The Brand-Rex Cat6Plus Unshielded Triple Outlet offers a high density outlet solution with true Category 6 component performance. The outlet is backward compatible with our UK and continental UNI style faceplates providing a 3 or 6 RJ-45 solution for high density outlet installations.

Each outlet is fitted with a removable label protector with individual rear cable anchors and colour wiring detail. Every outlet is supplied in an easy tear pack with a shortform installation instruction, paper label and cable ties.

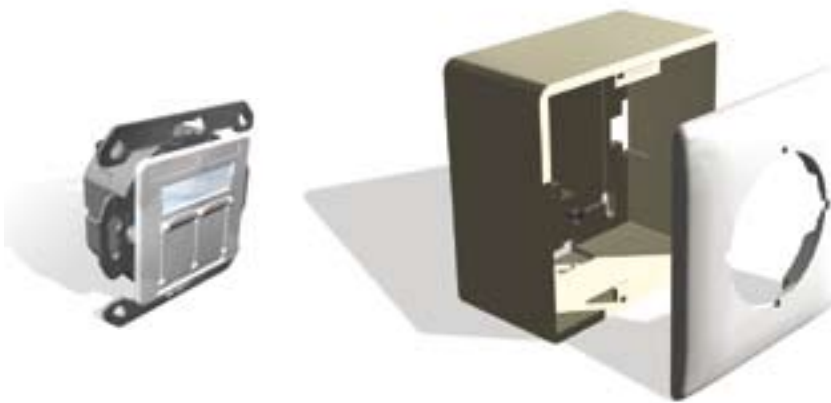
**PRODUCT CHARACTERISTICS:**

- Outlet Style: Unkeyed RJ-45
- Faceplate Style: UK / Continental UNI style compatible
- Backbox: Minimum 32mm depth
- Colour: RAL 9010 White
- Weight: 46g
- Body Material: ABS
- Jack Contacts: Phosphor Bronze
- Plating: 50µm gold over  
100µm nickel
- Punch Down Blocks: 110 Style IDC
- Wiring Standard: EIA/TIA 568A/B
- Conformance: Category 6  
ANSI/EIA/TIA  
568B.2.1:2002  
ISO/IEC 11801:2002  
EN50173-1:2002
- Approval: (3P) Independent  
3rd Party Certification

**Product Part Numbering**

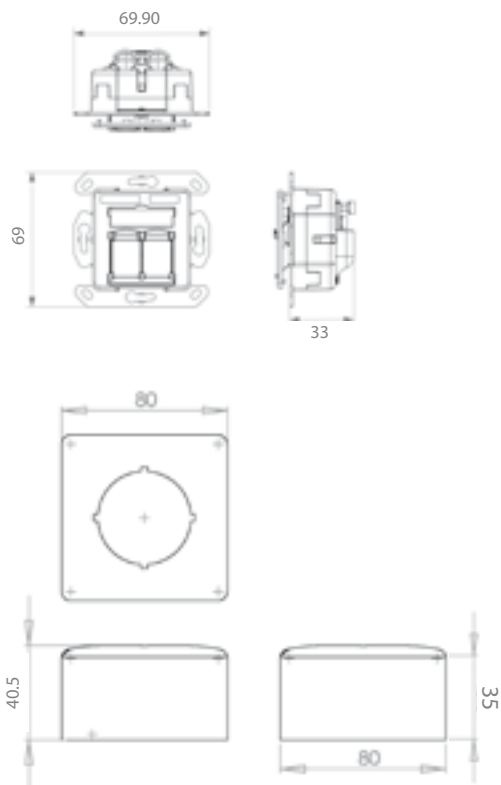
	Unshielded
Triple Outlet - White	C6CTWOU013





**Brand-Rex Copper Connectivity - Cat6Plus Outlets**

Category 6 European Style Outlet



**PRODUCT DESCRIPTION:**

The Brand-Rex combined shielded outlet and RJ-45 socket has the same proven Category 6 performance as our Cat6Plus panels. Primarily designed for mounting into duct or trunking using a 45mm diameter hole, the outlet can be either flush or wall mounted by using the 80 x 80mm continental styled faceplate and 33mm back box.

**PRODUCT CHARACTERISTICS:**

- Outlet Style: Shielded Keystone type with unkeyed RJ-45 ports
- Cable Entry: Horizontal and Vertical
- Colour: RAL 1013 Ivory  
RAL 9010 White
- Body Material: High impact PPO UL94 - VO  
Zinc Alloy Diecast closed housing
- Jack Contacts: Phosphor Bronze
- Plating: 50 µm gold over  
100 µm of nickel
- Punch Down Blocks: LSA style IDC
- IDC Contacts: Phosphor Bronze
- Wiring Standard: EIA/TIA 568A/B
- Conformance: ISO/IEC 11801 : 2002,  
EIA/TIA 568B.2.1 : 2002  
and EN50173-1 : 2002

**Product Part Numbering**

	White	Ivory
1 Way Shielded Outlet	C6CG145SU002	C6CG145SU001
2 Way Shielded Outlet	C6CG245SU002	C6CG245SU001
80mm x 80mm Faceplate and Back Box	MMCWDOSMA002	MMCWDOSMA001



**Brand-Rex Copper Connectivity - Cat6Plus Cross-Connect**  
 Category 6 Cross-Connect Tower Units

**PRODUCT DESCRIPTION:**

The tower mount frame provides a modular, high density, cross-connect and cable management system. The base tower is supplied as a 288 pair unit but the capacity can be increased using additional extension frames. Tower units are supplied with wiring bases and connector blocks for 288 pair.

**PRODUCT CHARACTERISTICS:**

Material: Mild steel,  
 Black powder coated

Dimensions:

288 pair mounting frame  
 546.1 x 215.9 x 235.0mm

288 pair extension mounting frame  
 416.0 x 215.9 x 88.9mm

Vertical cable organiser  
 546.1 x 215.9 x 235.0mm

Vertical cable organiser extension  
 426.5 x 215.9 x 228.6mm

**Product Part Numbering**

110 Tower, 288 pair mounting frame	C6C110TWR288P
110 Tower, 288 pair extension mounting frame	C6C110TWR288PE



### Brand-Rex Copper Connectivity - Cat6Plus Cross-Connect Category 6 Cross-Connect Patchcord

#### PRODUCT DESCRIPTION:

Cross-connect patchcords are available in 110 to 110 style or 110 to RJ45 style. The standard Category 6 110 connector is supplied in a 4 pair version only.

#### PRODUCT CHARACTERISTICS:

Conformance:	Category 6 ANSI/TIA/EIA 568B.2.1
Cord type:	Grey 24AWG UTP 110 – 110
Dimensions:	50.2 x 30.9 x 9.0mm
Temperature Range:	0 to 50 °C (installation) -20 to 75 °C (operational)

#### Product Part Numbering

	110 – 110	110 – RJ45
Cross Connect Patch Cord - 1.0m	C6C110110PC010	C6C110RJ4PC010
Cross Connect Patch Cord - 1.5m	C6C110110PC015	C6C110RJ4PC015
Cross Connect Patch Cord - 2.0m	C6C110110PC020	C6C110RJ4PC020
Cross Connect Patch Cord - 3.0m	C6C110110PC030	C6C110RJ4PC030
Cross Connect Patch Cord - 4.0m	C6C110110PC040	C6C110RJ4PC040
Cross Connect Patch Cord - 5.0m	C6C110110PC050	C6C110RJ4PC050



**Brand-Rex Copper Connectivity - Cat6Plus Cross-Connect**  
 Category 6 Cross-Connect Insertion Tool

**PRODUCT DESCRIPTION:**

To ensure correct termination of Brand-Rex's Category 6 Cross Connect solution it is advised to use a specially designed Insertion tool. The insertion tool is used to simultaneously terminate the 4 pairs onto Category 6 Cross Connect wiring bases and underneath the Category 6 connector block. A Replacement Head is also available when the tool becomes worn.

**Product Part Numbering**

Category 6 110 4 pair Insertion Tool	C6C1104PIT
Category 6 110 4 pair Replacement Head	C6C1104PITRH



### Brand-Rex Copper Connectivity - Cat6Plus Cross-Connect

Category 6 Cross-Connect Wiring Bases and Connector Blocks

#### Product Part Numbering

Category 6 110 wiring base 48 pair with legs	C6C110WB48PL
Category 6 110 wiring base 48 pair without legs	C6C110WB48P
Category 6 110 wiring base 48 pair with legs, Kit	C6C110WB48PLK
Category 6 110 wiring base 48 pair without legs, Kit	C6C110WB48PK
Category 6 110 wiring base 96 pair with legs	C6C110WB96PL
Category 6 110 wiring base 96 pair without legs	C6C110WB96P
Category 6 110 wiring base 96 pair with legs, Kit	C6C110WB96PLK
Category 6 110 wiring base 96 pair without legs, Kit	C6C110WB96PK
Category 6 110 wiring base 288 pair with legs	C6C110WB288PL
Category 6 110 wiring base 288 pair without legs	C6C110WB288P
Category 6 110 wiring base 288 pair with legs, Kit	C6C110WB288PLK
Category 6 110 wiring base 288 pair without legs, Kit	C6C110WB288PK
Category 6 110 wiring base 96 pair rack mounted, Kit	C6C110WB96PRK
Category 6 110 wiring base 192 pair rack mounted, Kit	C6C110WB192PRK
Category 6 110 wiring base 288 pair rack mounted, Kit	C6C110WB288PRK
Category 6 110 Connector Block	C6C110CB4P

#### PRODUCT DESCRIPTION:

##### Wiring Base

The Category 6 110 wiring base can be supplied as a 48, 96 or 288 pair version, with or without legs. It can also be supplied rack mounted as a 96, 192 or 288 pair version. Designation labels are included with the bases.

##### 48 Pair Wiring Base Kits

A typical kit for a 48 pair wiring base includes a basic wiring base and 12 off 4 pair connector blocks.

##### 96 Pair Wiring Base Kits

A typical kit for a rack mounted 96 pair wiring base includes 2 off 48 pair wiring base and 24 off 4 pair connector blocks.

##### Connector Block

The 4 pair connector is specifically designed to exceed Category 6 performance, has a robust design and is colour coded for easy identification. The connector is supplied in bags of 10.

#### PRODUCT CHARACTERISTICS:

Conformance: Category 6  
ANSI/TIA/EIA 568B.2.1

##### Connector Block

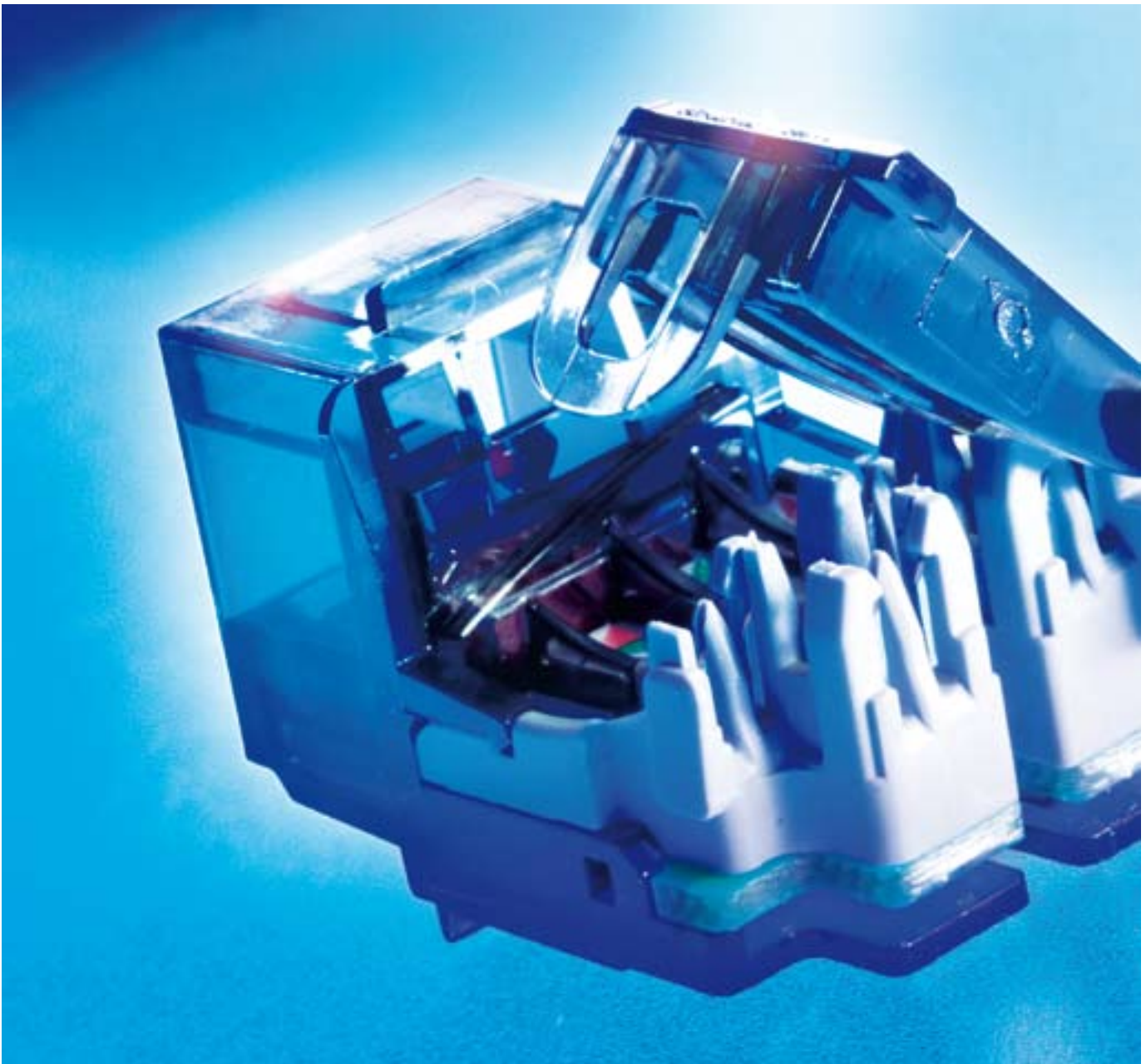
Material: Flame retardant  
thermoplastic rated  
UL94V-0, off-white

##### Wiring Base

Material: Flame retardant  
thermoplastic rated  
UL94V-0, off-white

Contact Material: Copper Alloy, tin plated





**BRAND-REX GIGAPLUS SYSTEM  
(CATEGORY 5E - CLASS D):**

**Key Features**

- GigaPlus is a fully standards compliant open system
- GigaPlus exceeds the requirements of ISO/IEC 11801 : 2002 and EN 50173-1 : 2002 for Class D channels and ANSI/TIA/EIA 568B.2 : 2002 Category 5e
- GigaPlus is third certified by 3P and GHMT
- GigaPlus provides a secure, cost-effective and flexible Cat5e cabling system solution for running today's LAN protocols and high speed applications such as 1000Base-T
- Reduced bit error rate as a result of system margins that exceed the standards
- System available in both shielded and unshielded options
- GigaPlus is interoperable and backwards compatible
- GigaPlus can be installed within hostile environments, contact Brand-Rex for recommendations and advice
- GigaPlus is Power over Ethernet compatible and supports
  - VoIP
  - Wireless LAN access points
  - Security cameras
- GigaPlus is suitable for wireless node connection