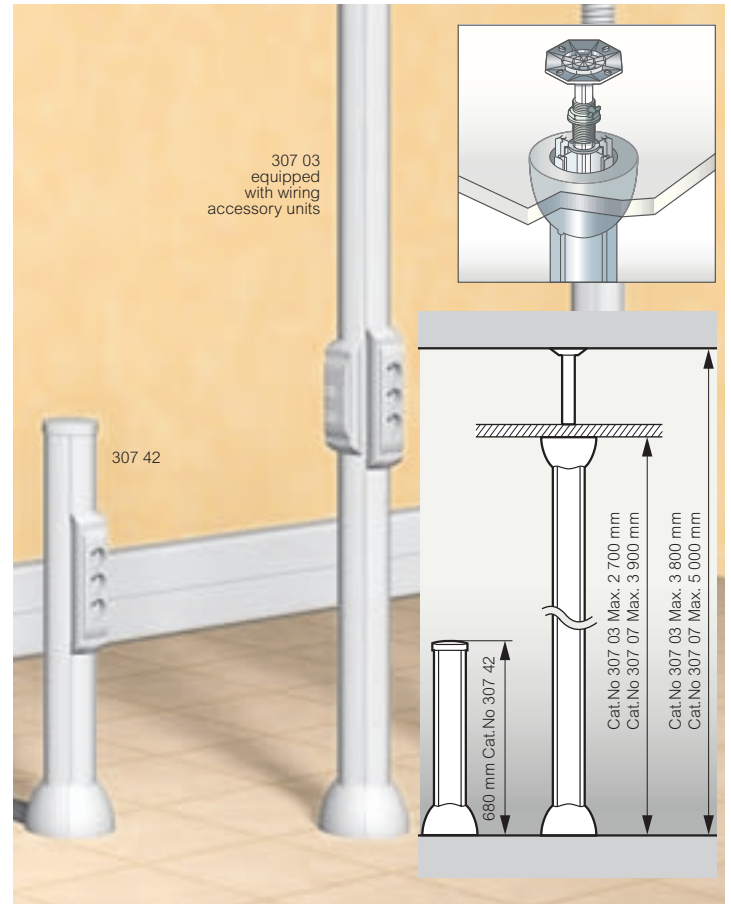
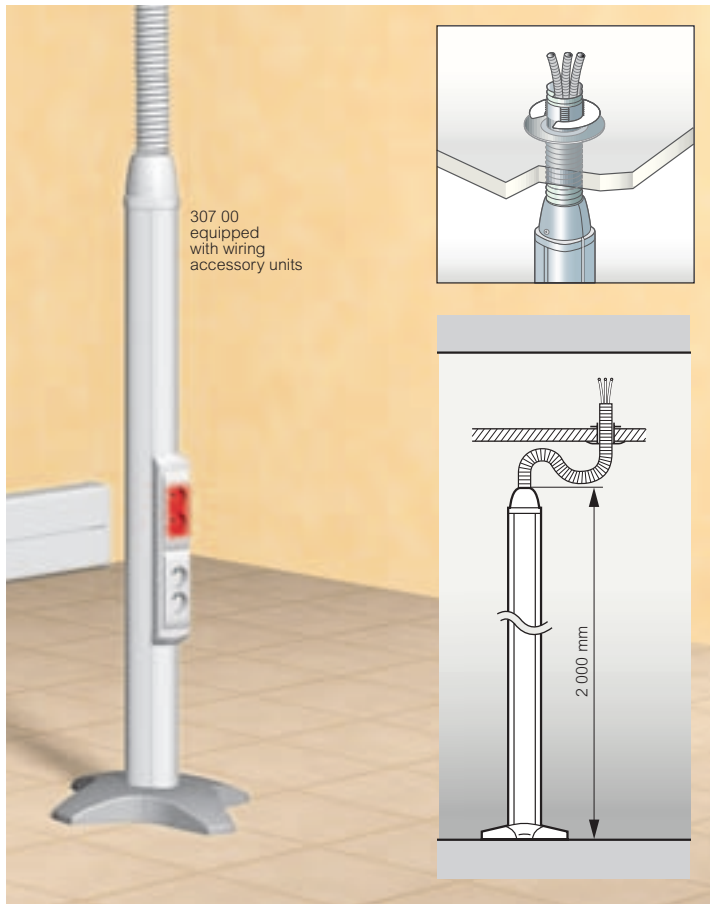
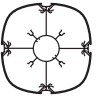



DLP columns and mini-column
4 compartments



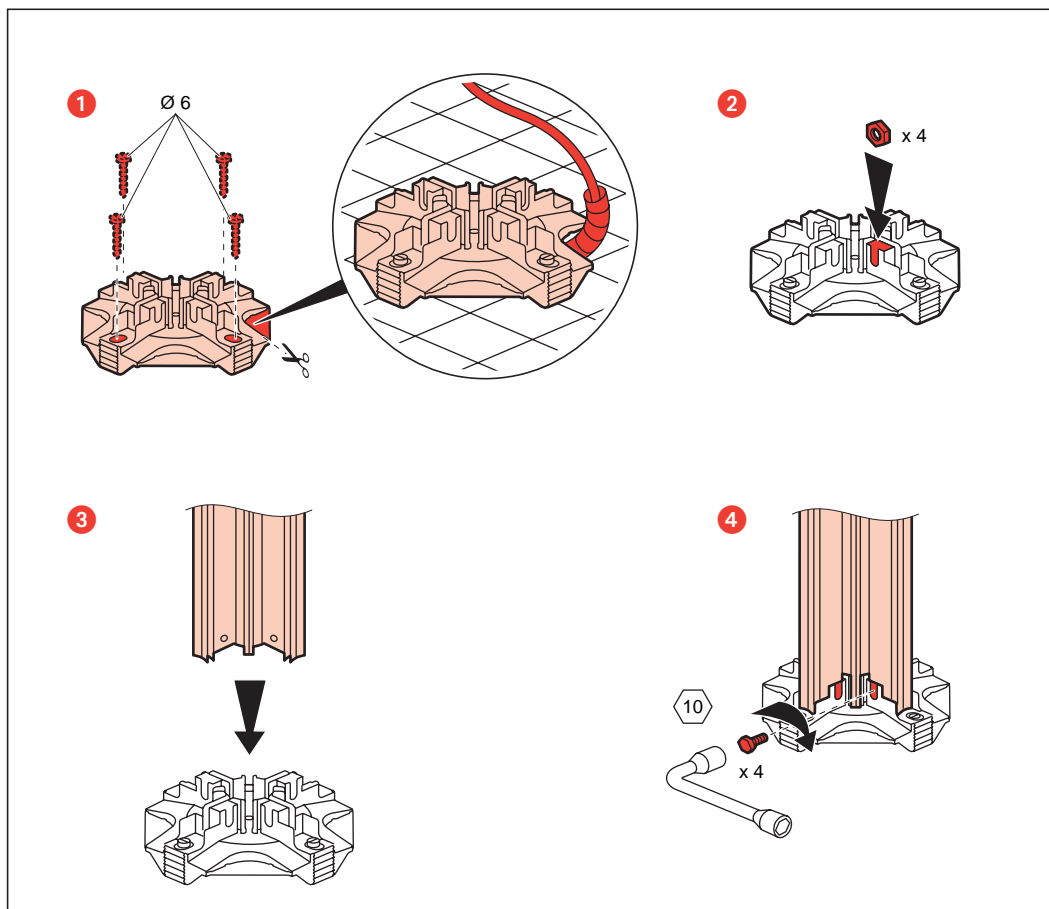
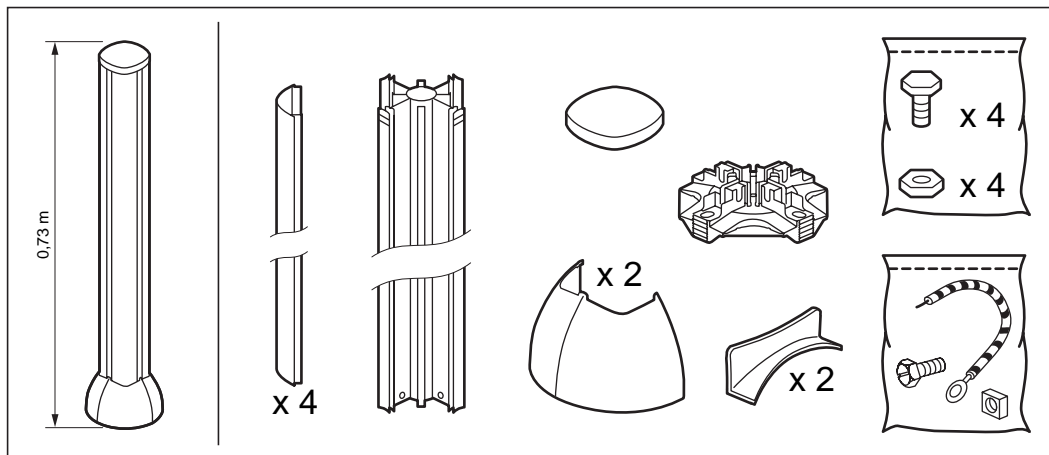
- For vertical distribution of currents with the cable inlets of high and low current cables in separate conduits
- Power supply from the ceiling and/or the floor
- To be equipped with wiring accessory units

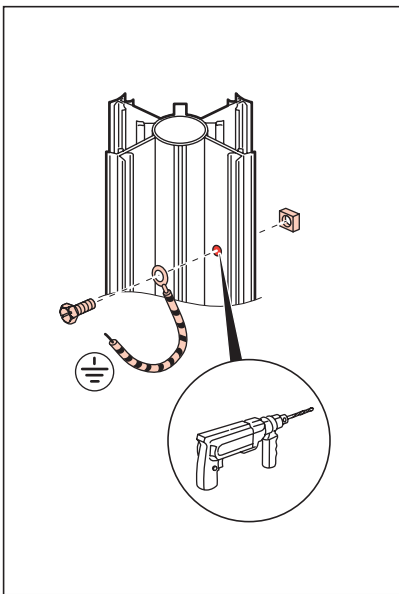
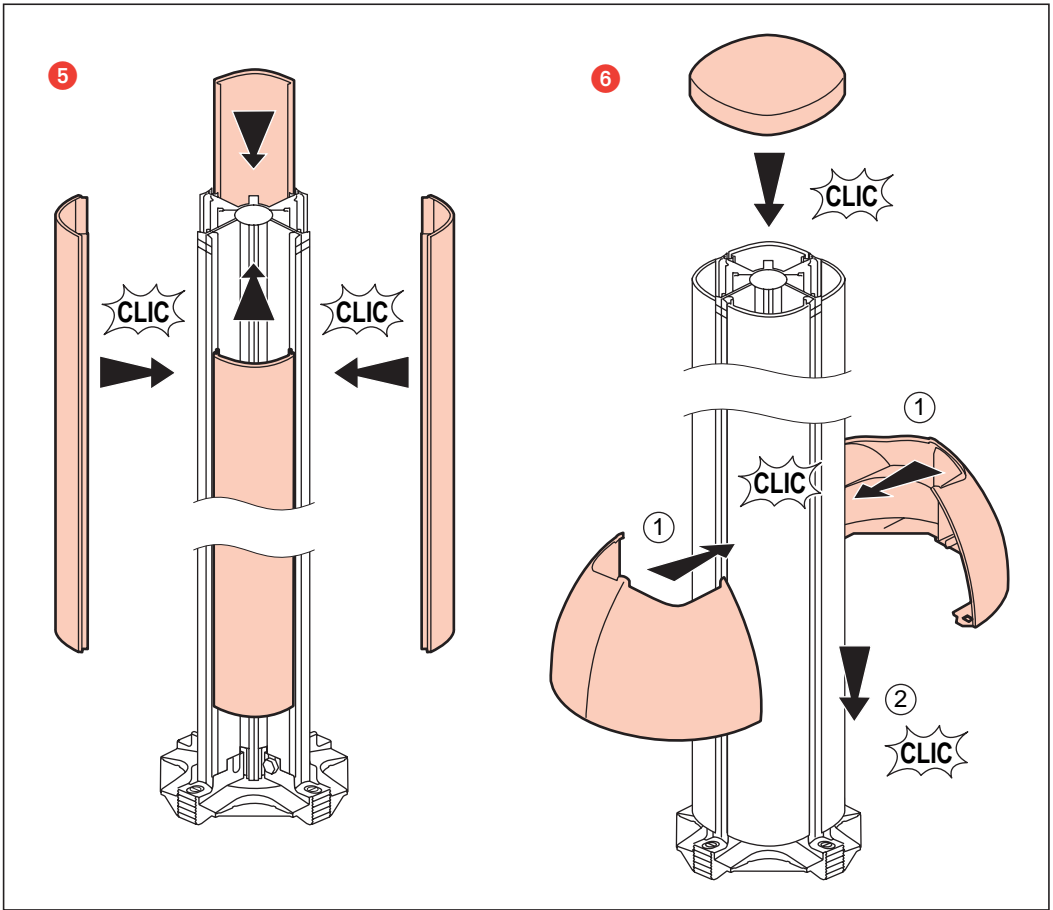
Pack	Cat.Nos	Movable column to be equipped
1	307 00	<p>Comprising :</p> <ul style="list-style-type: none"> • An aluminium base, length 2 m, 4 compartments • A Ø60 mm flexible sheath, capacity 4 x Ø20, length 2 m • 1 foot, 12 kg, size Ø400 mm • 4 white PVC covers <p>Power supply from ceiling via a flexible sheath Radius of movement of the column in relation to power supply point : 1.5 m Fixing in false ceiling which must not be more than 3 m high Height 2,00 m</p>

Pack	Cat.Nos	Columns and mini-column to be equipped
1	307 03	<p>Comprising:</p> <ul style="list-style-type: none"> • An aluminium base • An adjustable height telescopic pole for installation between the false ceiling and the ceiling (length 1.1 m) • 2 fixing bases with protective covers • 4 white PVC covers <p>4 compartment columns</p> <p>Height 2.7 m Can be adapted to a ceiling height 3.8 m Height 3.90 m Can be adapted to a ceiling height of 5 m</p> 
1	307 07	

Pack	Cat.Nos	Mini-column
1	307 42	<p>Mini-column to be equipped</p> <p>Comprising :</p> <ul style="list-style-type: none"> • An aluminium base with 4 compartments • A fixing base with protective cover • 4 aluminium covers • An end cover <p>Height 68 cm</p> 







328 00
6486 00

